

HERIKS

Axial fans

Axial reversal fans

Refrigerator fans

Low and middle pressure centrifugal fans

Aluminium propeller centrifugal ventilators

Dast mounting centrifugal ventilators

Duct mounting centrifugal ventilators

Roof ventilators

Double inlet ventilators

Diametrical ventilators

Air curtains

Design and producing of fans according
to client' s needs!

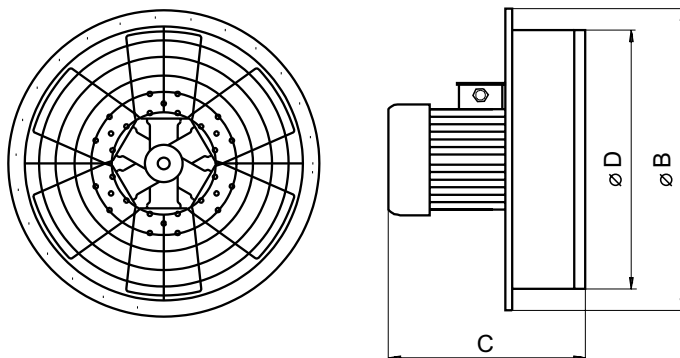
BUGARIA , Plovdiv , 1 "Priaporetz" Str.

TEL. +359 32 675 510 Fax + 359 32 675 511

www. HERIKS.com E- mail: office@HERIKS.COM

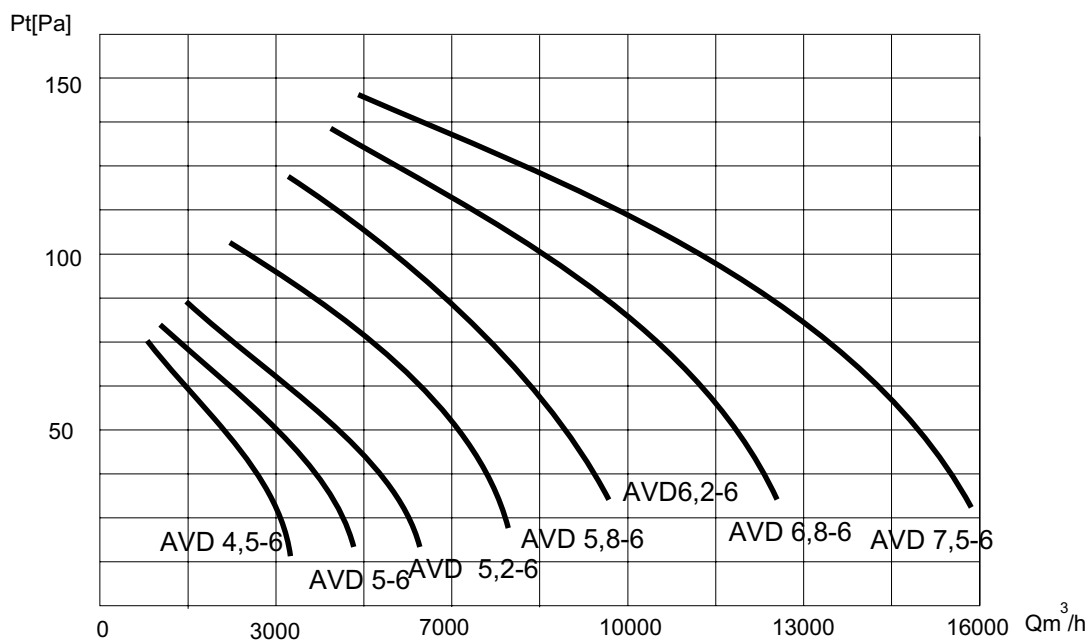


Cilindrical shaped axial ventilators



Devices are designed to provide ventilation to industrial, public and agricultural buildings. They are used to transport pure, without any mechanical fractions, explosive and fire free air mixtures with temperature up to 50 Degree C.

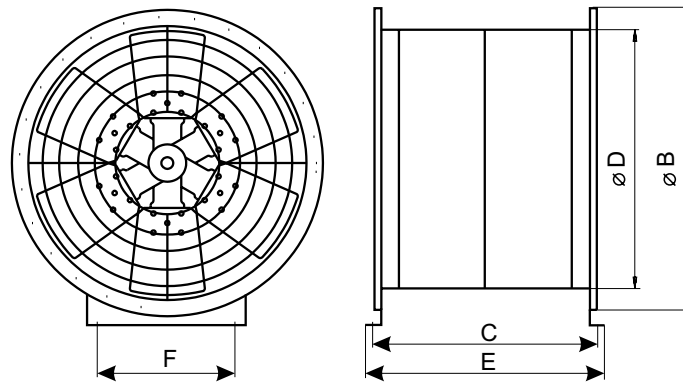
Type	R.P.M	Power kW	Max. Airflow. m ³ /h	Noise dB(A)	Dimensions		
	min ⁻¹				B mm	C mm	D mm
AVD 4,5 - 6	940	0,18	3500	58	510	310	470
AVD 5 - 6	940	0,37	5000	62	560	320	520
AVD 5,2 - 6	940	0,37	6200	63	580	330	540
AVD5,8 - 6	940	0,55	8000	66	640	330	600
AVD 6,2 - 6	940	0,75	9000	68	680	350	635
AVD 6,8 - 6	940	1,1	12000	71	740	450	700
AVD 7,5 - 6	940	1,1	16000	72	810	450	770



Sound pressure levels are measured at a distance equal to three times the propeller diameter, min. 1,5m.

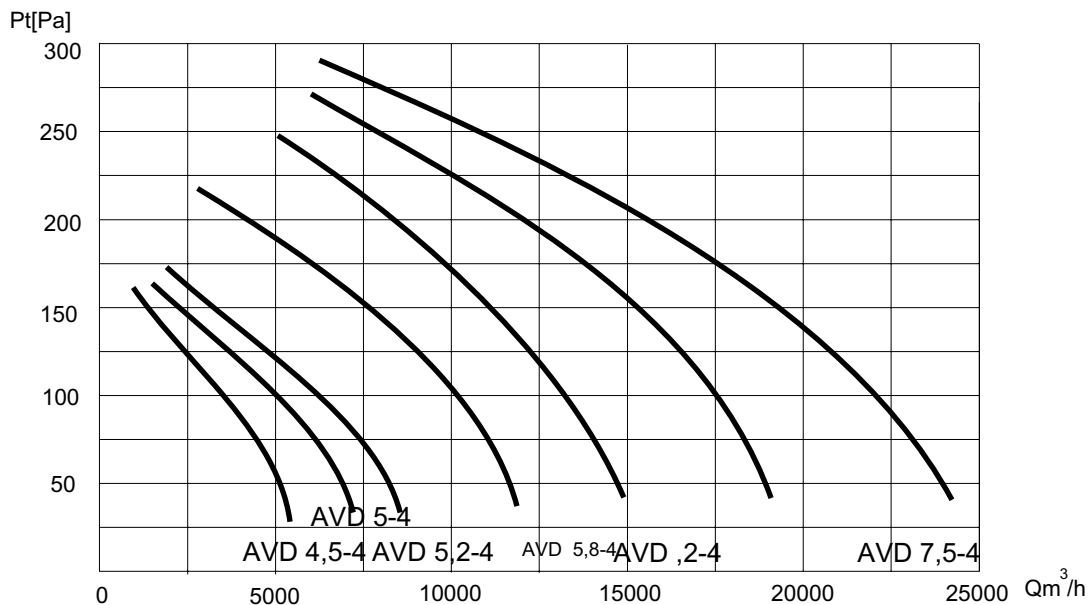
4000 Plovdiv, Bulgaria, 1 "Priaporetz" Str. Tel. +359 32 675 510
 Fax + 359 32 675 511 E- mail: office@HERIKS.com

Duct mounting axial ventilators



Devices are designed to provide ventilation to industrial, public and agricultural buildings. They are used to transport pure, without any mechanical fractions, explosive and fire free air mixtures with temperature up to 50 Degree C.

Type	R.P.M min ⁻¹	Power kW	Max. Airflow m ³ /h	Noise dB(A)	Dimensions				
					B mm	C mm	D mm	E mm	F mm
AVD 4,5 - 4	1360	0,37	5600	67	510	310	470	350	330
AVD 5 - 4	1360	0,55	7500	71	560	320	520	360	340
AVD 5,2 - 4	1360	0,55	8500	72	580	330	540	370	350
AVD 5,8 - 4	1360	0,75	12000	75	640	330	600	370	350
AVD 6,2 - 4	1360	1,1	16200	77	680	350	635	390	370
AVD 6,8 - 4	1360	2,2	18800	80	740	450	700	490	470
AVD 7,5 - 4	1360	3	23000	82	810	450	770	490	470

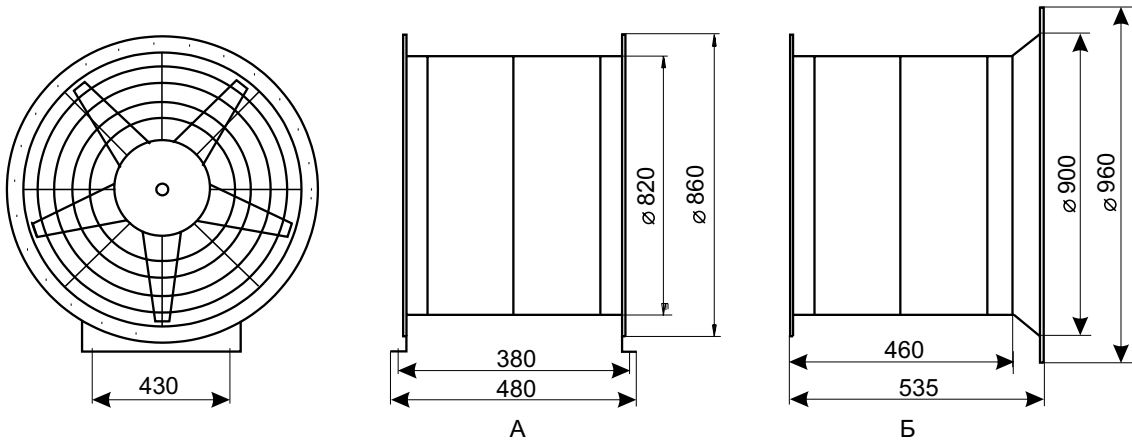


Ventilators could be produced also as reversal. In that case the airflow is decreased with 15%. Sound pressure levels are measured at a distance equal to three times the propeller diameter, min. 1,5m.

4000 Plovdiv, Bulgaria, 1 "Priaporetz" Str. Tel. +359 32 675 510
 Fax + 359 32 675 511 E- mail: office@HERIKS.com



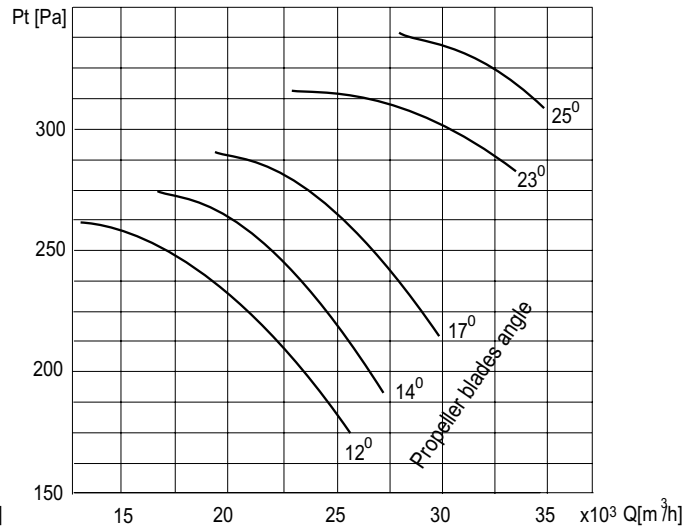
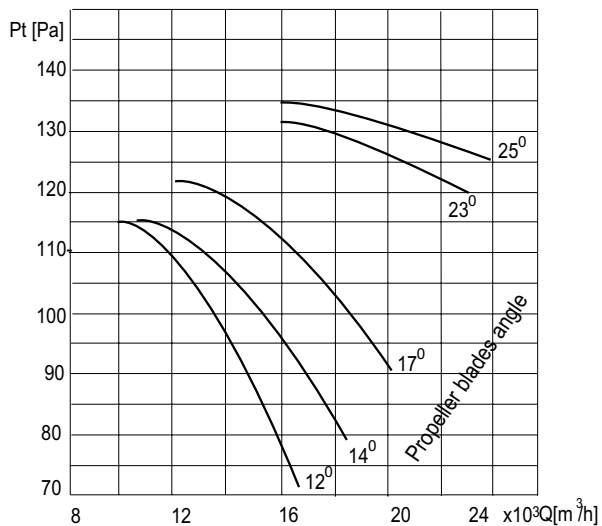
Axial ventilator Ov8 with variable angle of propeller blades



Devices are designed to provide ventilation to industrial, public and agricultural buildings. They are used to transport pure, without any mechanical fractions, explosive and fire free air mixtures with temperature up to 50 Degree C.

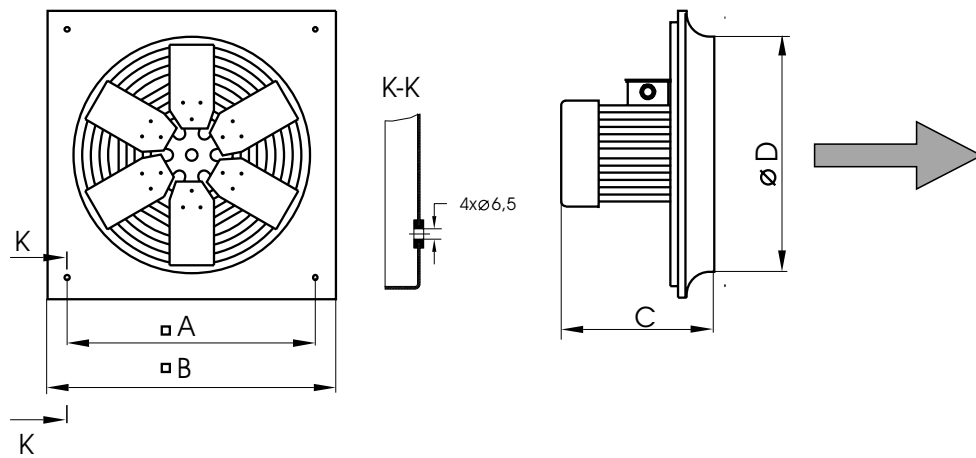
Motor 1,1 kW на 940 min⁻¹

Motor 3 kW на 1440 min⁻¹



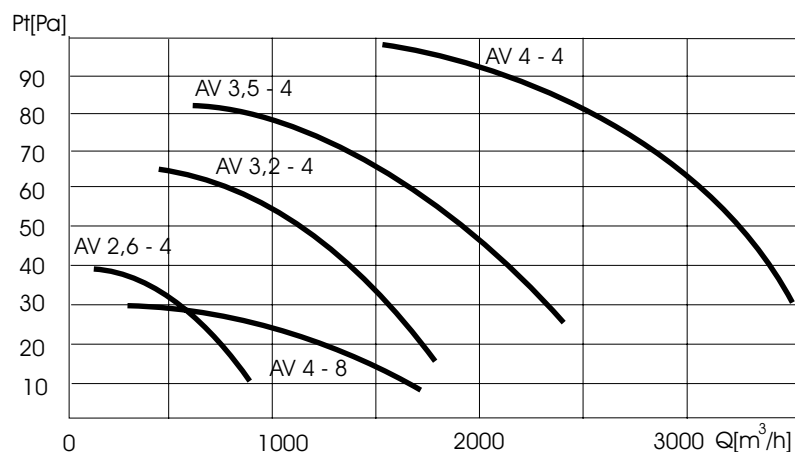
4000 Plovdiv, Bulgaria, 1 "Priaporetz" Str. Tel. +359 32 675 510
 Fax + 359 32 675 511 E- mail: office@HERIKS.com

Square - shaped axial ventilators



The devices are designed for ventilation to industrial, public and agricultural buildings. These devices are used to transport pure, without any mechanical fractions and explosive and fire free air mixtures with temperature up to 50°C.

TYPE	R.P.M. min ⁻¹	Voltage (V)	Power W	Eirfow max. m ³ /h	Noise* dB(A)	Dimensions			
						À mm	Â mm	Ñ mm	D mm
AV 2,6 - 4	1360	220	25	800	50	260	340	180	270
AV 3,2 - 4	1360	220	90	1900	55	360	425	230	330
AV 3,5 - 4	1360	220	180/100	2500	58	392	450	275	350
AV 4 - 4	1360	220	180	3500	62	442	505	285	402
AV 4 - 8	750	220	120	1700	49	442	505	285	402

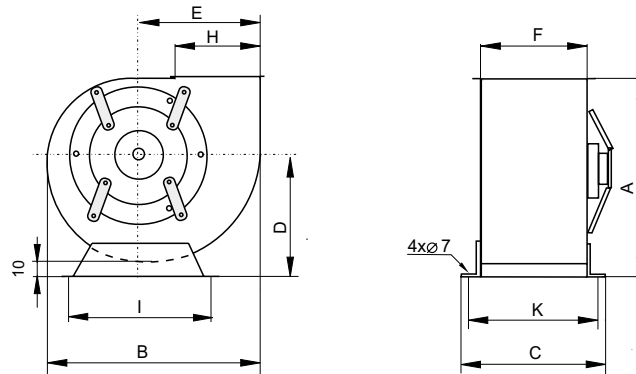


Sound pressure levels are measured at distance equal to 3 times the propeller diameter but minimum 1,5m.

4000 Plovdiv, Bulgaria, 1 "Priaporetz" Str. Tel. +359 32 675 510
 Fax + 359 32 675 511 E- mail: office@HERIKS.com



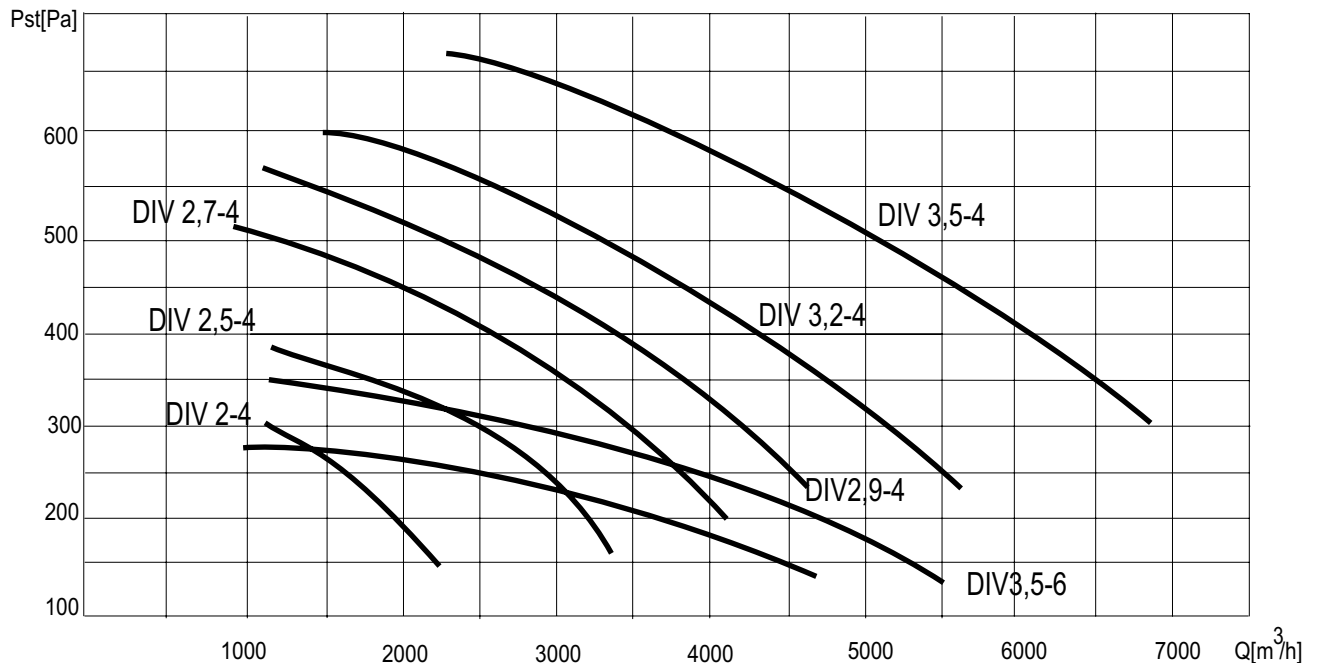
Double inlet centrifugal ventilators



Devices are designed to provide ventilation to industrial, public and agricultural buildings. These devices are used to transport pure, without any mechanical fractions and explosive and fire free air mixtures with temperature up to 50°C. Because of their specific measures they are used in air conditioning equipment and air handing units or within cabinet or centrifugal air heaters. They also be mounted with commercial cooker hoods.

Type	R.P.M min ⁻¹	Power kW	Noise dB(A)	Dimensions								
				A mm	B mm	C mm	D mm	E mm	F mm	H mm	I mm	K mm
DIV2 -4	1400	0,37	61	318	366	340	189	204	240	140	200	2901
DIV2,5 -4	1400	0,75	67	393	445	340	233	254	240	175	250	290
DIV2,7-4	1400	1,1	70	420	485	340	250	273	240	203	270	290
DIV2,9-4	1400	1,5	72	453	515	470	268	291	420	203	290	320
DIV3,2-4	1400	1,5	73	500	568	545	294	324	445	224	320	495
DIV3,2-6	940	2,2	71	500	568	545	294	324	445	224	320	495
DIV3,5-4	1400	3	75	545	620	545	320	354	445	245	350	495
DIV3,5-6	940	1,1	72	545	620	545	320	354	445	245	350	495

The position and rotation could be according to client's needs.

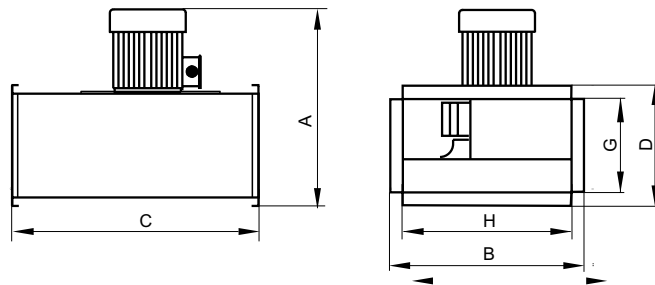


In the table sound pressure levels are explained in surroundings at 1 meter distance from ventilator with joined intel and outer air ducts.

4000 Plovdiv, Bulgaria, 1 "Priaporetz" Str. Tel. +359 32 675 510
 Fax + 359 32 675 511 E- mail: office@HERIKS.com

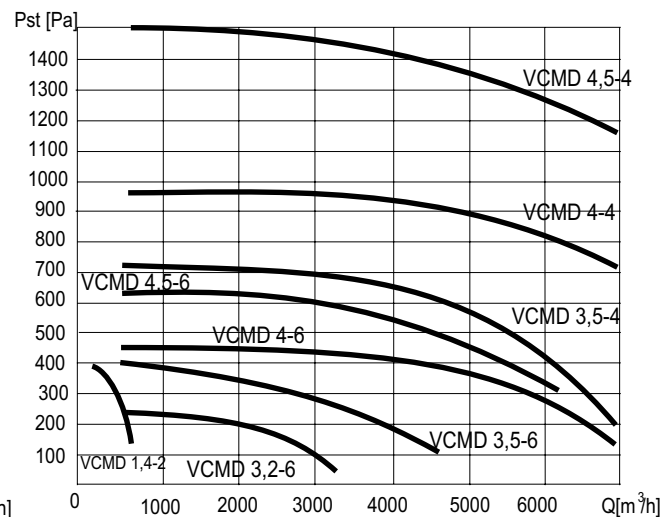
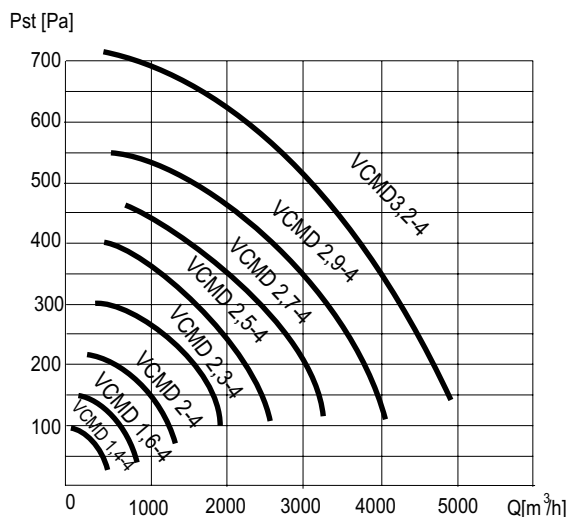


Duct mounting centrifugal ventilators



Devices are designed to provide ventilation to industrial, public and agricultural buildings. They are used to transport pure, without any mechanical fractions, explosive and fire free air mixtures with temperature up to 50°C.

Type	R.P.M	Power	Noise	Dimensions					
	min ⁻¹	kW	dB(A)	A	B	C	D	G	H
VCMD1,4-4	1400	0,06	54	320	300	305	230	190	280
VCMD1,4-2	2800	0,12	69	340	300	305	230	190	280
VCMD1,6-4	1400	0,18	55	400	360	352	250	210	320
VCMD2 -4	1400	0,18	59	440	440	440	290	250	400
VCMD2,3-4	1400	0,25	62	440	500	506	320	280	460
VCMD2,5-4	1400	0,75	63	510	540	550	340	300	500
VCMD2,7-4	1400	1,1	63	545	580	594	360	320	540
VCMD2,9-4	1400	1,5	67	565	620	638	380	340	580
VCMD,2-4	1400	2,2	70	635	680	705	410	370	640
VCMD3,5-4	1400	3	72	705	740	770	440	400	700
VCMD3,5-6	940	1,1	62	665					
VCMD4 -4	1400	4	75		775	840	490	450	800
VCMD4 -6	940	2,2	69						
VCMD4,5-4	1400	5,5	75	825	940	980	540	500	850
VCMD4,5-6	940	3	69						

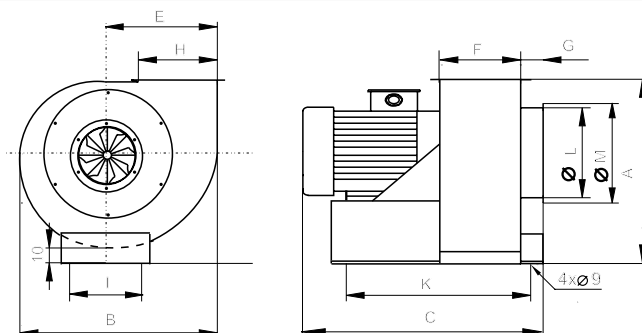


In the table sound pressure levels are explained in surroundings at 1 meter distance from ventilator with joined intel and outer air ducts.

4000 Plovdiv, Bulgaria, 1 "Priaporetz" Str. Tel. +359 32 675 510
 Fax + 359 32 675 511 E- mail: office@HERIKS.com



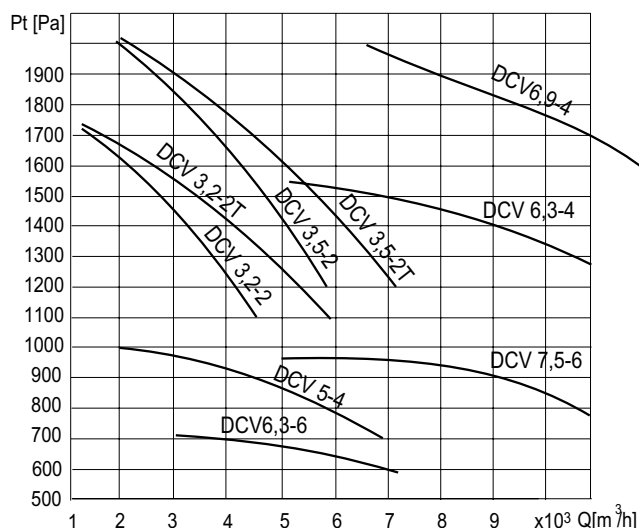
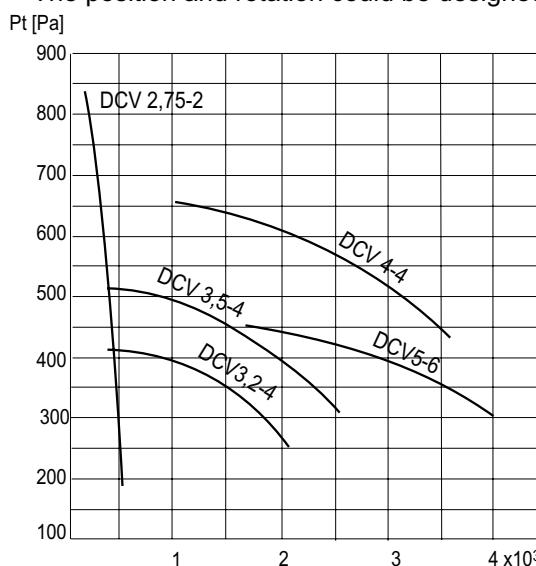
Dust centrifugal ventilators



They are designed to transport explosion free dust, wood chips, saw dust, metallic dust air mixtures with concentration min 50g/kg and temperature up to 50 Degree C.

Type	R.M.P min ⁻¹	Power kW	Noise dB(A)	Dimensions												
				A mm	B mm	C mm	D mm	E mm	F mm	G mm	H mm	I mm	K mm	L mm	M mm	
DCV2,75-2	2750	0,55	75	345	365	290	185	205	62	40	65	140	180	132	-	
DCV3,2-4	1400	0,75	69	493	561	498	291	320	156	100	221	320	302	194	235	
DCV 3,2-2	2910	3	84			618							220			363
DCV 3,2-2T	2910	5,5	84			648							433			
DCV 3,5-4	1400	1,1	70	536	613	508	317	350	170	120	245	350	307	212	252	
DCV 3,5-2	2910	4	85			618							240			363
DCV 3,5-2T	2910	7,5	85			688							433			
DCV 4 -4	1400	1,5	75	612	701	606	361	400	194	120	280	400	366	252	290	
DCV 5 -4	1400	3	78	762	875	674	449	500	241	150	350	500	422	315	315	
DCV 5 -6	940	1,1	72			653							412			
DCV 6,3-4	1400	11	86	964	1102	937	563	630	302	150	441	630	567	395	440	
DCV 6,3-6	940	2,2	75			765							483			
DCV 7,5-6	960	5,5	82	1148	1312	912	668	750	359	150	525	750	586	460	520	

The position and rotation could be designed according to client's needs.

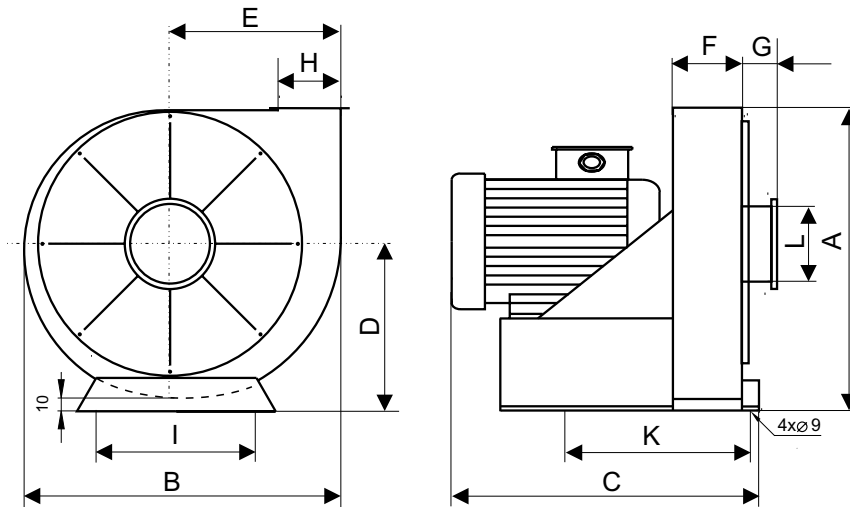


In the table sound pressure levels are explained in surroundings at 1 meter distance from ventilator with joined intel and outer air ducts.

4000 Plovdiv, Bulgaria, 1 "Priaporetz" Str. Tel. +359 32 675 510
 Fax + 359 32 675 511 E- mail: office@HERIKS.com



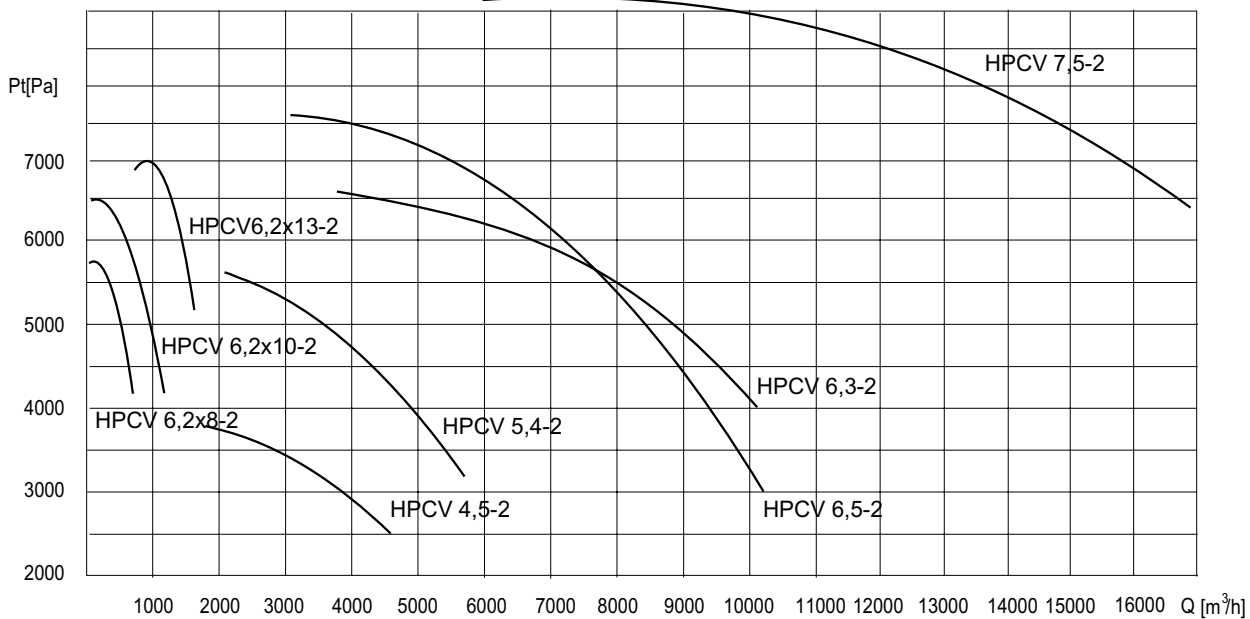
High pressure centrifugal ventilators



The devices are designed to provide ventilation to industrial, public and agricultural buildings. These devices are used to transport pure, without any mechanical fractions and explosive and fire free air mixtures with temperature up to 50°C.

Type	R.P.M Power		Dimensions										
	min ⁻¹	kW	A mm	B mm	C mm	D mm	E mm	F mm	G mm	H mm	I mm	K mm	L mm
HPCV4,5-2H	2910	4	650	755	615	345	429	121	100	230	410	394	190
HPCV5,4-2H	2910	7,5	820	940	575	480	535	137	100	272	410	394	236
HPCV6,2x8-2	2860	3	820	805	470	412	434	36	100	139	380	315	182
HPCV6,2x10-2	2910	5,5	820	805	545	412	434	52	100	139	410	365	182
HPCV6,2x13-2	2920	7,5	820	805	596	412	434	98	100	139	410	392	182
HPCV6,3-2	2920	18,5	794	818	850	420	440	169	100	160	470	510	190
HPCV6,5-2	2920	22	820	845	780	432	455	100	100	165	500	440	215
HPCV7,5-2	2920	45	1075	1153	975	589	625	191	100	382	620	750	330

The position and rotation could be designed according to client's needs.



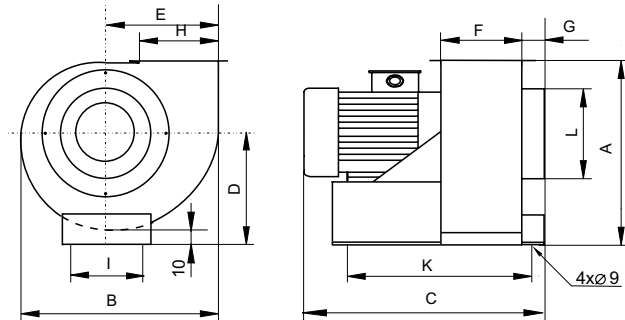
In the table sound pressure levels are explained in surroundings at 1 meter distance from ventilator with joined intel and outler air ducts.

4000 Plovdiv, Bulgaria, 1 "Priaporetz" Str. Tel. +359 32 675 510

Fax + 359 32 675 511 E- mail: office@HERIKS.com



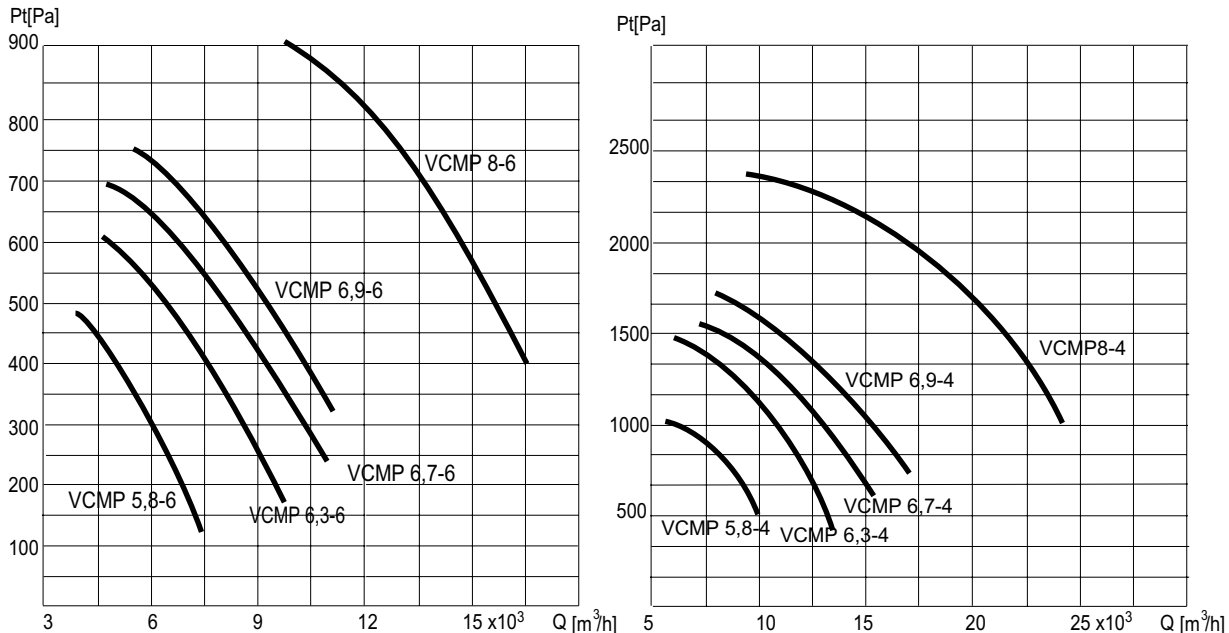
Low pressure centrifugal ventilators



The devices are designed to provide ventilation to industrial, public and agricultural buildings. These devices are used to transport pure, without any mechanical fractions, explosive and fire free air mixtures with temperature of 50°C.

Type	R.P.M	Power	Noise	Dimensins										
				A	B	C	D	E	F	G	H	I	K	L
	min -1	kW	DB(A)	mm	mm	mm	mm	mm	mm	mm	mm	mm	mm	mm
VCMP5,8-6	940	1,1	70	915	1044	804	522	596	412	100	490	580	583	560
VCMP5,8-4	1400	3	75			825							594	
VCMP6,3-6	940	1,5	71	1006	1233	860	603	750	447	100	540	630	628	600
VCMP6,3-4	1450	5,5	77			912							654	
VCMP6,7-6	940	2,2	72	1078	1318	888	648	798	475	100	574	670	657	650
VCMP6,7-4	1450	5,5	79			940							657	
VCMP6,9-6	940	2,2	72	1101	1350	903	660	822	490	100	560	690	672	670
VCMP6,9-4	1450	7,5	82			993							717	
VCMP8 -6	940	4	76	1310	1563	1070	763	953	560	100	566	800	792	740
VCMP8 -4	1450	15	85			1151							833	

Position and rotation could be realised according to client's needs.

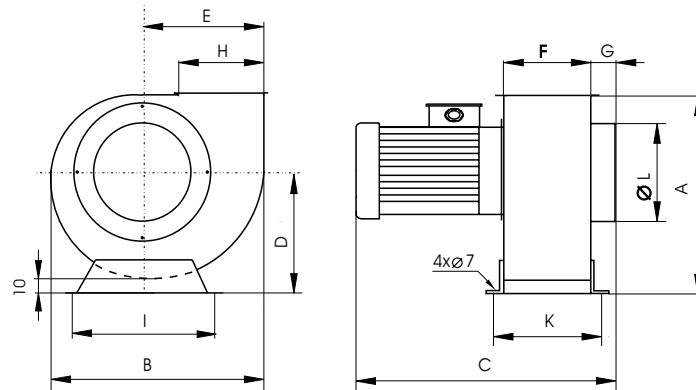


In the table sound pressure levels are explained in surroundings at 1 meter distance from ventilator with joined intel and outer air ducts.

4000 Plovdiv, Bulgaria, 1 "Priaporetz" Str. Tel. +359 32 675 510
 Fax + 359 32 675 511 E- mail: office@HERIKS.com



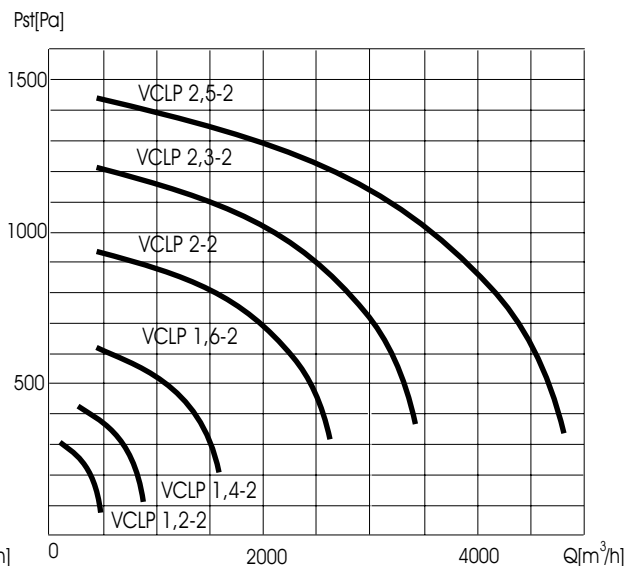
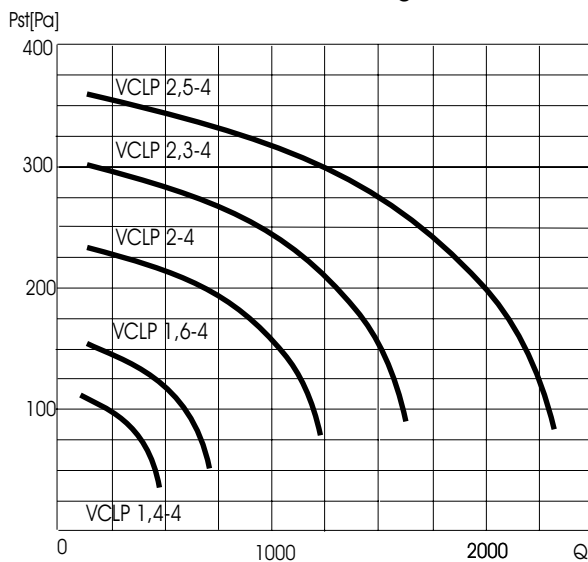
Middle pressure centrifugal ventilators



The devices are designed to provide ventilation to industrial , public and agricultural buildings. These devices are used to transport pure , without any mechanical fractions and explosive and fire free air mixtures with temperature up to 50°C.

TYPE	R.P.M. min ⁻¹	Power kW	Noise* dB(A)	Dimensions										
				Ā mm	Â mm	Ñ mm	D mm	E mm	F mm	G mm	H mm	I mm	K mm	L mm
VCCLP1,2-2	2800	0,06	65	175	180	195	100	105	40	50	82	100	60	70
VCCLP1,4-4	1400	0,06	54	240	240	345	130	135	116	50	100	140	120	122
VCCLP1,4-2	1400	0,12	69			345								
VCCLP1,6-4	1400	0,09	56	258	296	320	154	163	116	50	112	160	152	128
VCCLP1,6-2	2860	0,75	71			380								
VCCLP2 -4	1400	0,18	60	318	366	430	189	204	145	80	140	200	181	160
VCCLP2 -2	2860	2,2	76			530								
VCCLP2,3-4	1400	0,37	63	363	410	435	215	234	145	80	161	230	181	184
VCCLP2,3-2	2860	2,2	80			530								
VCCLP2,5-4	1400	0,75	67	393	445	480	233	254	181	80	175	250	217	200
VCCLP2,5-2	2860	5,5	83			620								

Position and rotation according to client's needs.

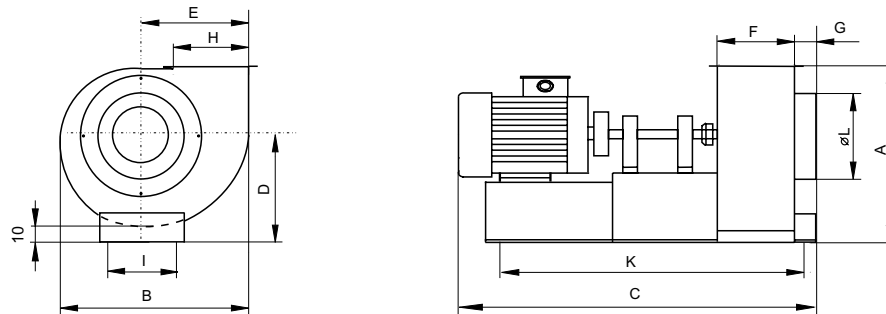


In the table sound pressure levels are explained in surroundings at 1 meter distance from ventilator with joined intel and outer air ducts.

4000 Plovdiv, Bulgaria, 1 "Priaporetz" Str. Tel. +359 32 675 510
 Fax + 359 32 675 511 E- mail: office@HERIKS.com



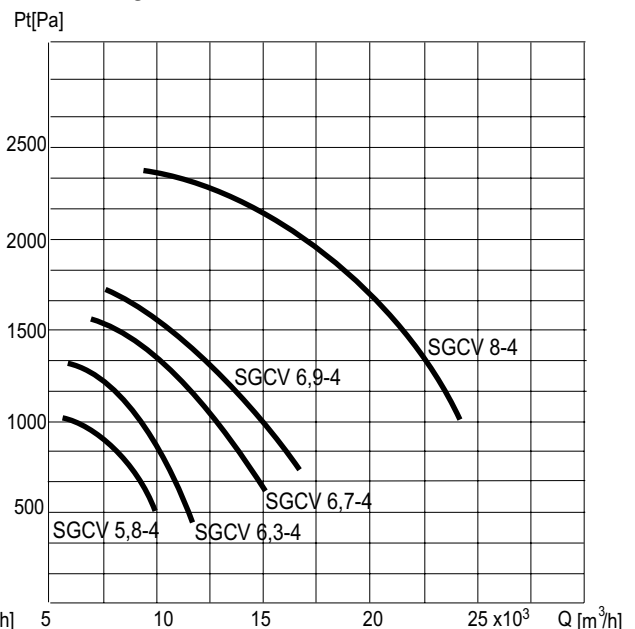
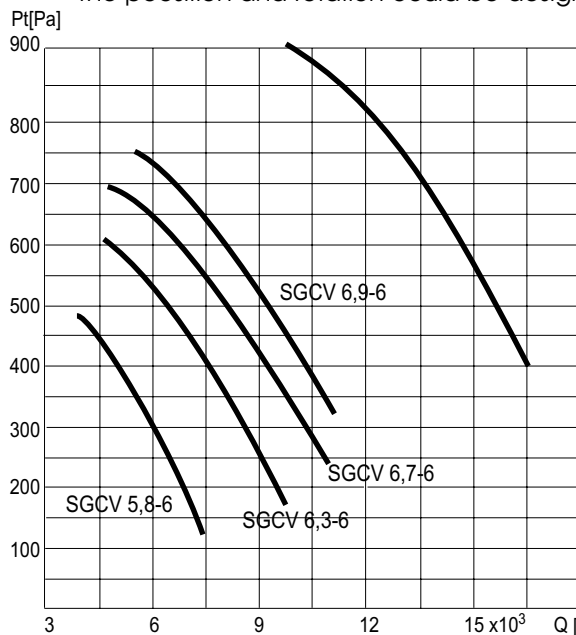
Smoke gases centrifugal ventilators



Devices are designed to transport smoke gases with temperature up to 280 Degree C., Passed trough electric or other types of filters.

Type	R.P.M	Power	Noise	Dimensions											
				min ⁻¹	kW	dB(A)	A	B	C	D	E	F	G	H	I
				mm	mm	mm	mm	mm	mm	mm	mm	mm	mm	mm	mm
SGCV5,8-6	940	1,1	70	915	1044	1160	522	596	412	100	490	580	930	560	
SGCV5,8-4	1400	4	75			1200							960		
SGCV6,3-6	940	1,5	71	1006	1233	1300	603	750	447	100	540	630	1060	600	
SGCV6,3-4	1400	5,5	77			1350							1090		
SGCV6,7-6	940	2,2	72	1078	1318	1400	648	798	475	100	574	670	1160	650	
SGCV6,7-4	1400	5,5	79			1450							1260		
SGCV6,9-6	940	2,2	72	1100	1350	1500	660	822	490	100	560	690	1260	670	
SGCV6,9-4	1400	7,5	82			1550							1260		
SGCV8-6	940	4	76	1310	1563	1600	763	953	560	100	566	800	1300	740	
SGCV8-4	1400	18,5	85			1700							1360		

The position and rotation could be designed according to client's needs.

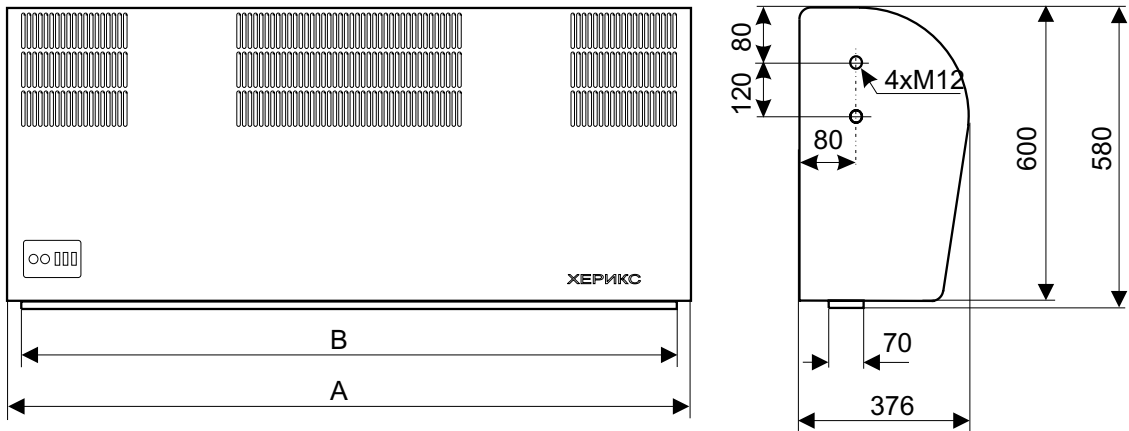


In the table sound pressure levels are explained in surroundings at 1 meter distance from ventilator with joined intel and outler air ducts.

4000 Plovdiv, Bulgaria, 1 "Priaporetz" Str. Tel. +359 32 675 510
 Fax + 359 32 675 511 E- mail: office@HERIKS.com



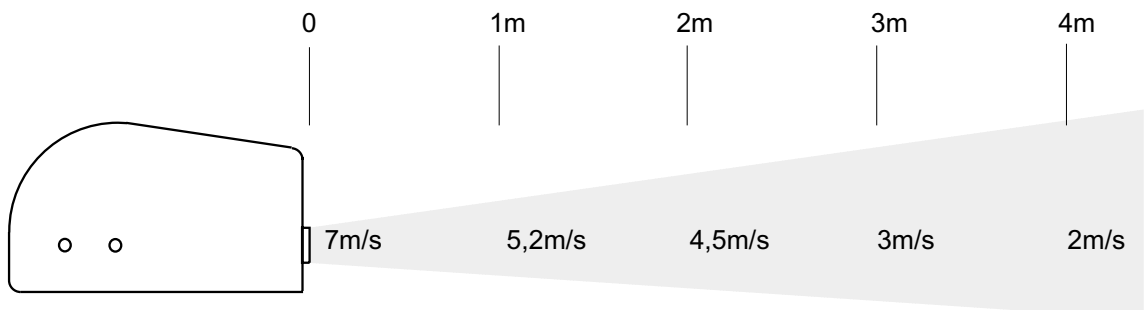
Air and warm air curtains



Air curtains are designed to reduce heat and draughts from doors, exposit exit doors, kiosk hatches of refrigerator chambers, cooled or warmed rooms.

Type	Voltage (V)	Heat POWER kW	Duty at free discharge m ³ /h	Noise dB(A)	Max parameters of mounting mm	Dimensions	
						A mm	B mm
AC 900	380	—	1900	62	4500	985	925
WAC 900	380	4/8	1700	62	4300	985	925
AC 1400	380	—	2900	62	4500	1415	1360
WAC 1400	380	4/8	2700	62	4300	1415	1360
AC 1800	380	—	3800	62	4500	1800	1745
WAC 1800	380	4/8	3500	62	4300	1800	1745

Warm air curtains could be produced with different as above-mentioned parameters, according to client's requirements. Also these devices could be situated next to each other.

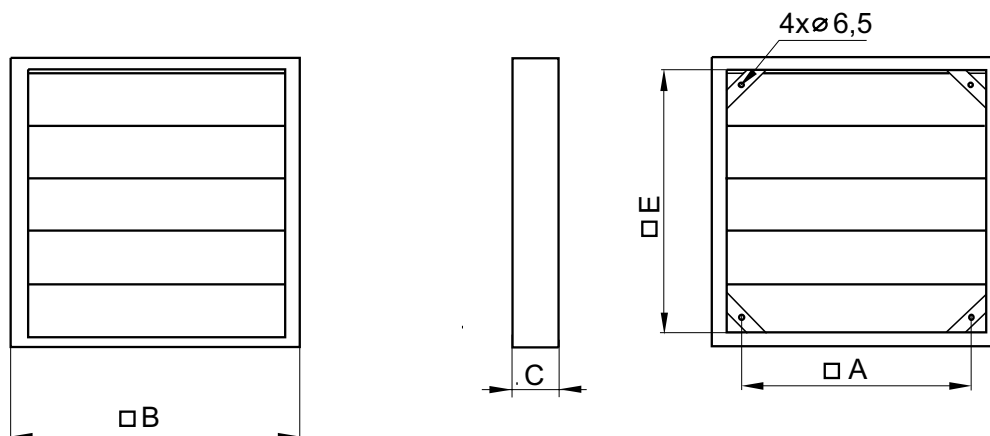


Noise level is measured from two meters distance.

4000 Plovdiv, Bulgaria, 1 "Priaporetz" Str. Tel. +359 32 675 510
 Fax + 359 32 675 511 E- mail: office@HERIKS.com



Louvres for Axial ventilators



These devices are designed as accessories to square-shaped axial ventilators, made by "H company

Louvres are opened by air flow and get closed by its stop.

Type VL should be mounted vertically on the outside wall!

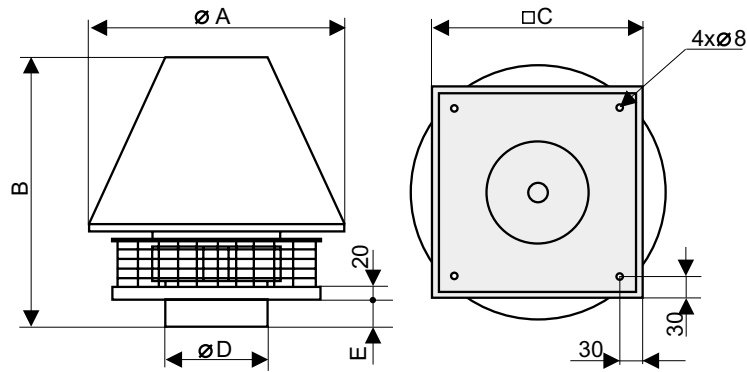
Louvre decreases max. Air flow of ventilator with 15%.

Type	DIMENSIONS			
	A	B	C	E
	mm	mm	mm	mm
VL 2,6	260	350	75	325
VL 3,2	360	435	75	405
VL 3,5	392	465	75	440
VL 4	442	515	75	490

4000 Plovdiv, Bulgaria, 1 "Priaporetz" Str. Tel. +359 32 675 510
Fax + 359 32 675 511 E- mail: office@HERIKS.com

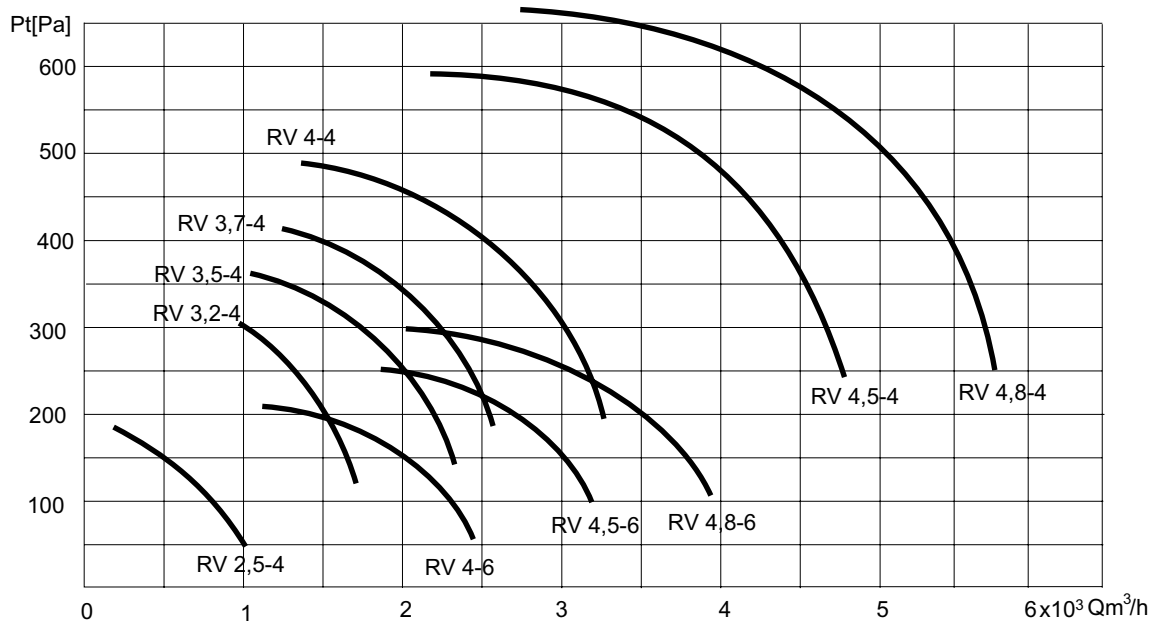


Roof ventilators



Devices are designed to provide ventilation to industrial, public and agricultural buildings. They are used to transport pure, without any mechanical fractions, explosive and fire free air mixtures with temperature up to 50°C.

Type	R.P.M min ⁻¹	Power kW	Noise dB(A)	Dimensions				
				A mm	B mm	C mm	D mm	E mm
RV 2,5 - 4	1400	0,18	59	400	425	330	160	40
RV3,2 - 4	1400	0,25	60	515	437	414	205	40
RV3,5 - 4	1400	0,37	60	550	455	445	238	60
RV3,7 - 4	1400	0,55	61	595	470	475	236	60
RV 4 - 4	1400	0,55	67	640	510	510	256	60
RV 4 - 6	940	0,25	59	640	510	510	256	60
RV 4,5 - 4	1400	0,75	70	720	547	570	288	60
RV 4,5 - 6	940	0,37	63	720	547	570	288	60
RV 4,8 - 4	1400	1,1	73	768	608	606	307	60
RV 4,8 - 6	940	0,37	65	768	608	606	307	60

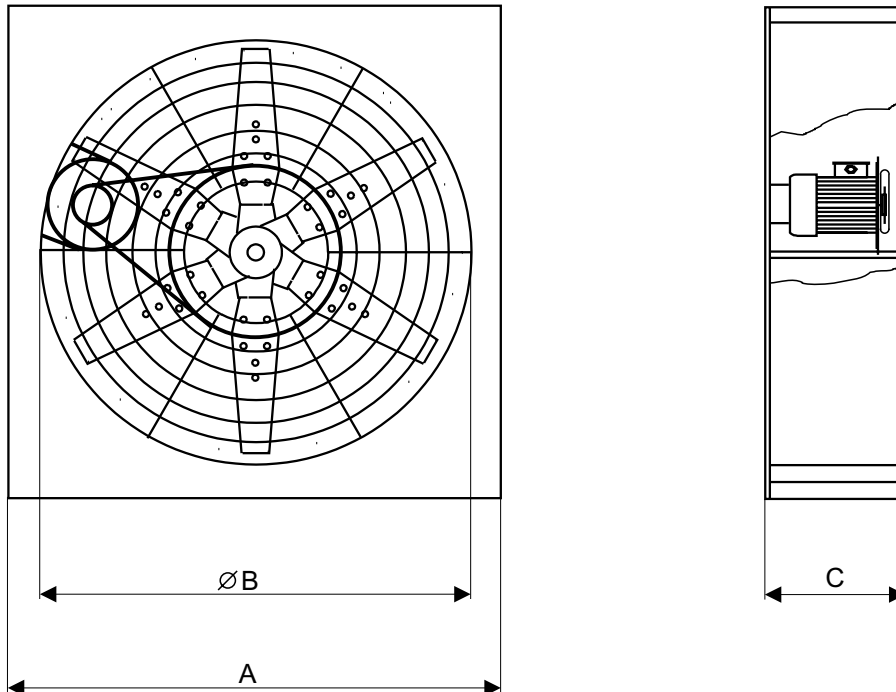


In the table sound pressure levels are explained in surroundings at 1 meter distance from ventilator with joined intel and outer air ducts.

4000 Plovdiv, Bulgaria, 1 "Priaporetz" Str. Tel. +359 32 675 510
 Fax + 359 32 675 511 E- mail: office@HERIKS.com



Special application axial ventilators



Devices are designed for ventilation to industrial, public and agricultural buildings. Their application is suitable in cases for removing large air volumes at low air speed. These devices are used to transport pure, without any mechanical fractions, explosive and fire free air mixtures with temperature up to 50 °C.

Type	Motor revolutions min^{-1}	Propeller revolutions min^{-1}	Power kW	Max Airflow m^3/h	Noise dB(A)	Dimensions		
						A mm	B mm	C mm
AVS8 - 4	1400	500	0,55	9500	63	900	815	400
AVS8 - 6	940	335	0,37	6000	58	900	815	400
AVS 12 - 6	940	180	0,37	10000	60	1300	1220	400
AVS12 - 8	750	150	0,25	8000	58	1300	1220	400

Ventilators also are produced with different revolutions from those as above-mentioned in the table. Sound power levels are measured at a distance three times diameter from the ventilator rotor.

4000 Plovdiv, Bulgaria, 1 "Priaporetz" Str. Tel. +359 32 675 510
Fax + 359 32 675 511 E- mail: office@HERIKS.com